

# MULTI WAY AUDIO AND VIDEO DOOR ENTRY KITS

## 12 WAY AUDIO DOOR ENTRY KIT

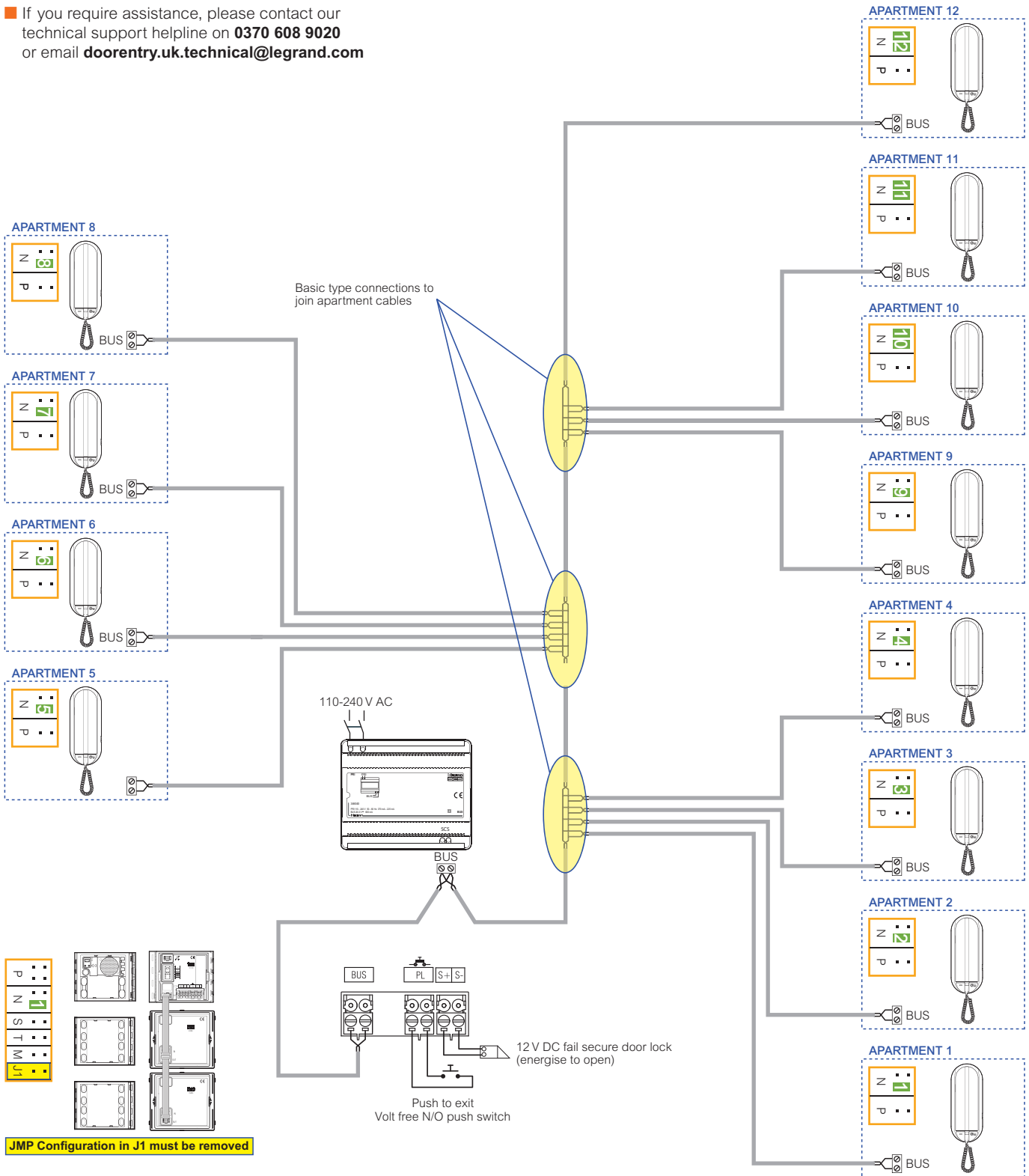


## INSTALLATION GUIDE

**bticino**

A brand of **legrand**

■ If you require assistance, please contact our technical support helpline on **0370 608 9020** or email **doorentry.uk.technical@legrand.com**

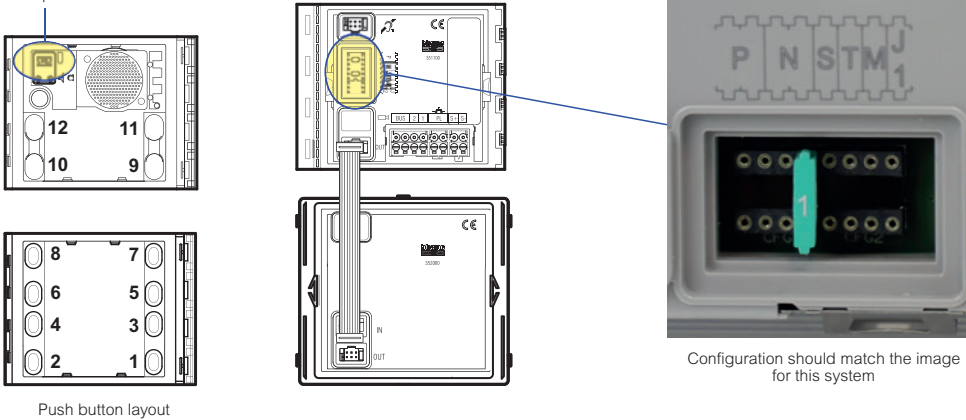


■ We recommend Bticino cable Cat. No. **3369 04**, see guidance notes for usage of different cable types  
 BUS cable connections are non polarised meaning the cable cores can be terminated in either connection terminal

**ALL CONFIGURATION SHOULD BE DONE WHILE THE SYSTEM IS POWERED OFF!**

**ENTRANCE PANEL CONFIGURATION**

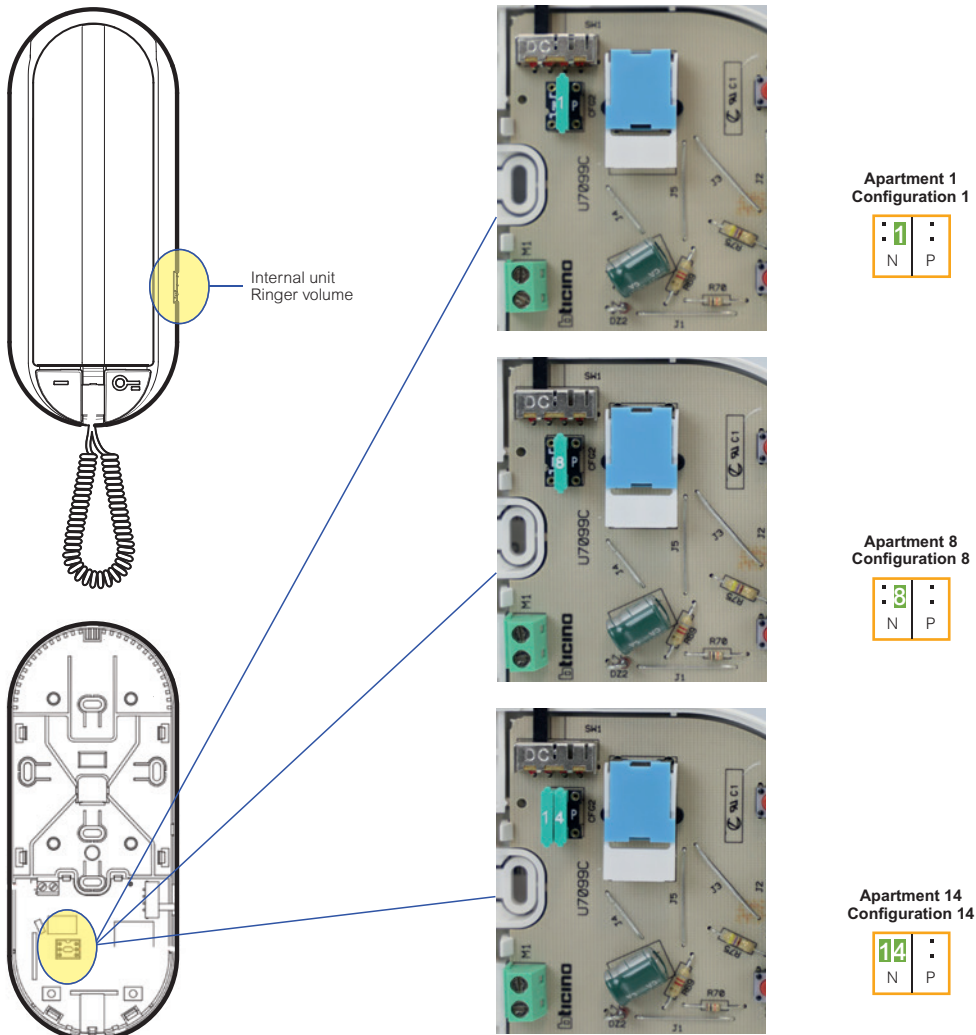
Mic/Speaker adjustment  
Orange adjustment tool provided  
with speaker module



Push button layout

Configuration should match the image for this system

**EXAMPLE HANDSET CONFIGURATION**



Internal unit  
Ringer volume

Apartment 1  
Configuration 1



Apartment 8  
Configuration 8



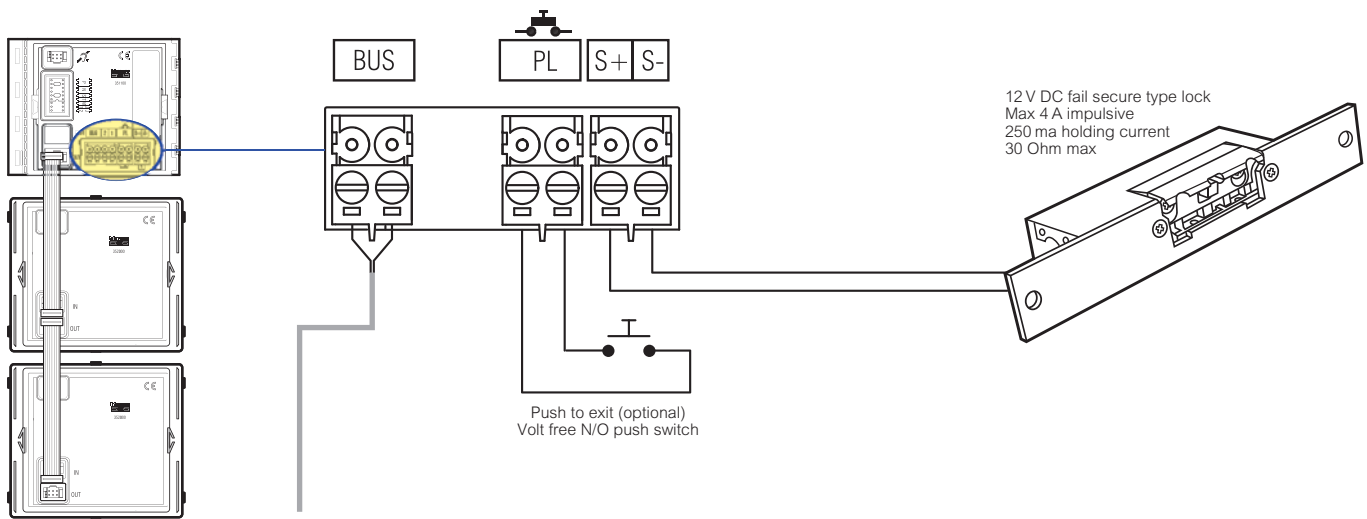
Apartment 14  
Configuration 14



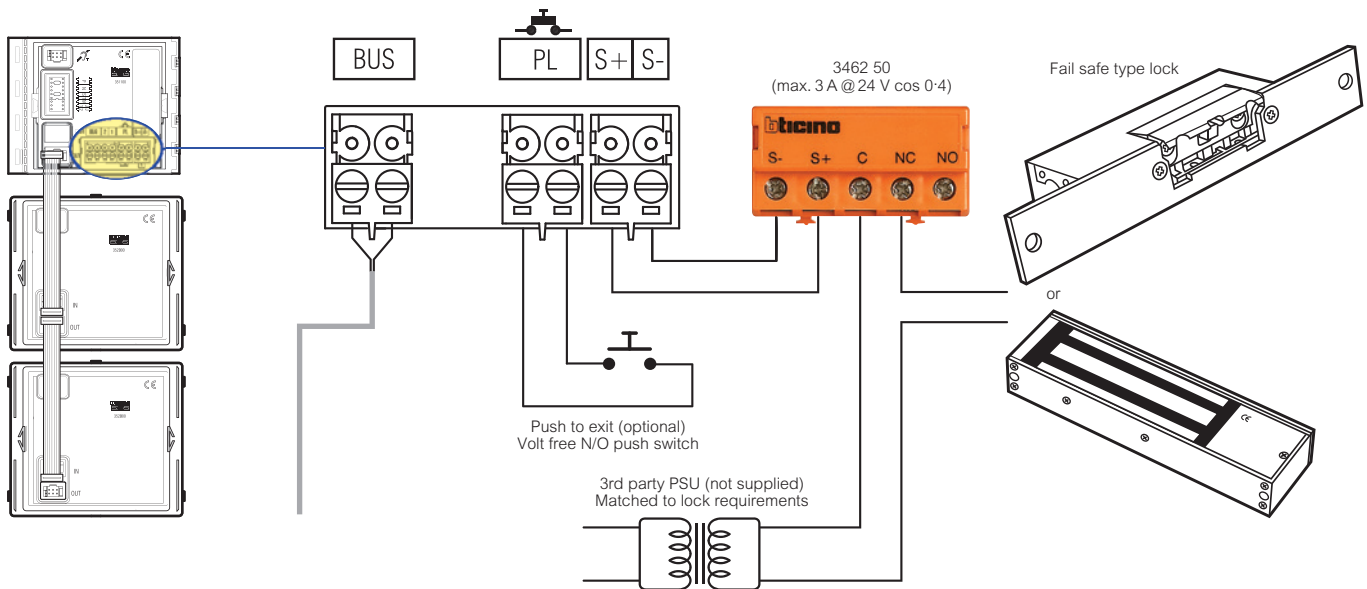
■ If you require assistance, please contact our technical support helpline on **0370 608 9020** or email **dooreentry.uk.technical@legrand.com**

## DOOR LOCK WIRING EXAMPLES

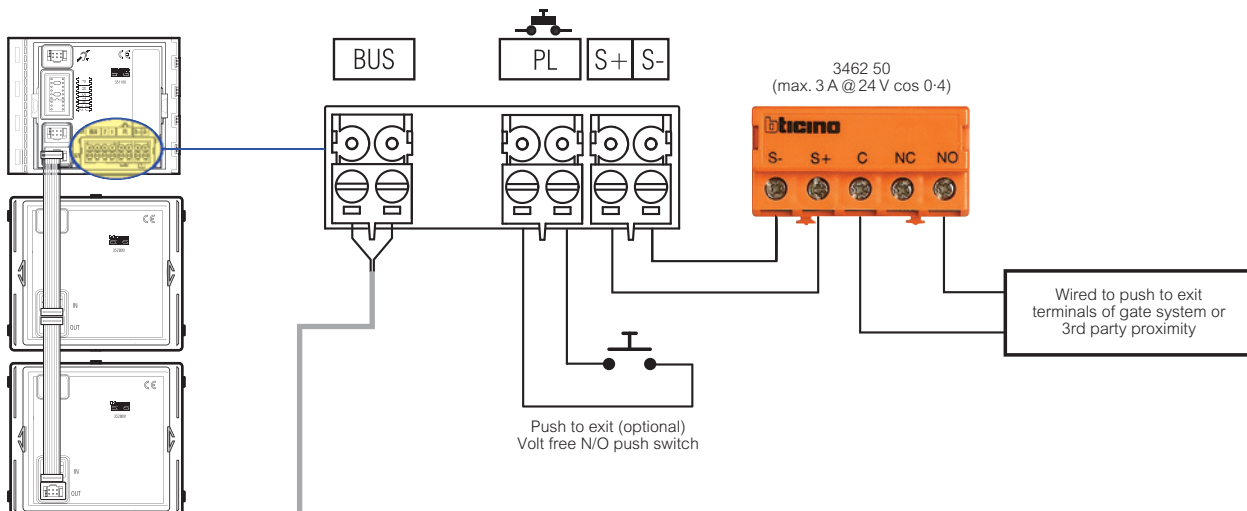
### EXAMPLE 1 - Fail secure door dock (energise to open)



### EXAMPLE 2 - Fail safe door dock (de-energise to open)



### EXAMPLE 3 - Motorised gates / 3rd party proximity

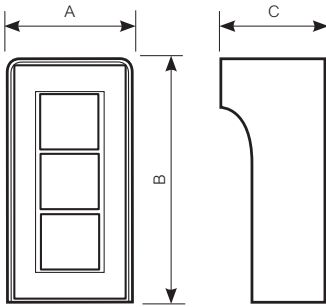


■ If you require assistance, please contact our technical support helpline on **0370 608 9020** or email **dooreentry.uk.technical@legrand.com**

## ENTRANCE PANEL MOUNTING AND CABLING GUIDELINES

### BACKBOX SIZES

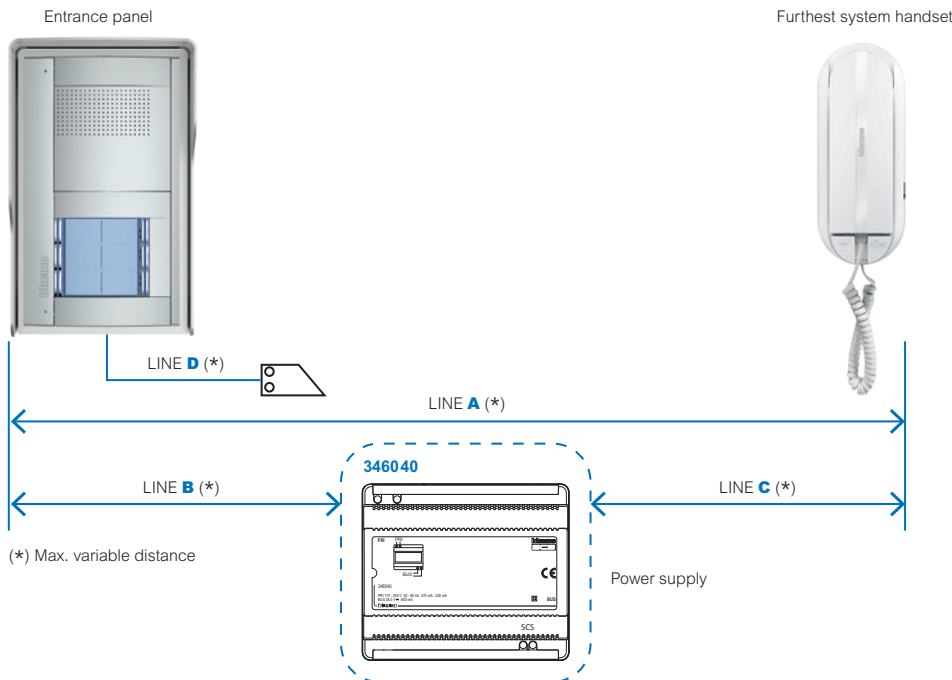
Surface mounting backboxes with in-built rainshields



Dimensions (mm)			
Cat. Nos.	A	B	C
BT4WAKIT	151	151	82
BT4WVKIT BT6WVKIT BT6WAKIT BT8WVKIT BT8WAKIT BT10WVKIT BT10WAKIT BT12WAKIT	151	242	82
BT12WVKIT BT14WVKIT BT14WAKIT BT16WVKIT BT16WAKIT BT18WVKIT BT18WAKIT	151	334	82

■ If you require assistance, please contact our technical support helpline on **0370 608 9020** or email [dooreny.uk.technical@legrand.com](mailto:dooreny.uk.technical@legrand.com)

### CABLING GUIDELINES MOST COMMON CABLES

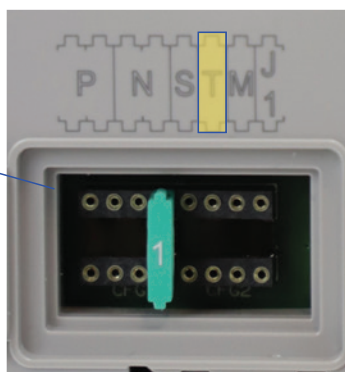
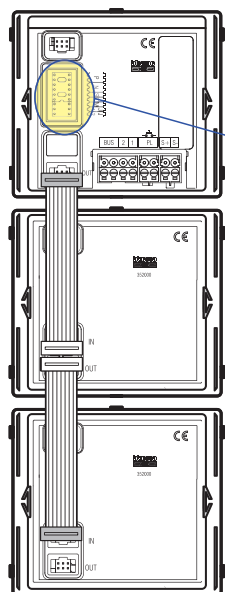


LINE max. distance	2 core untwisted 0.2 mm	Cat 5 single twisted pair	Telephone single twisted pair 0.28 mm	Bticino 3369 04/3369 05
A	50 m	125 m	125 m	200 m
B	50 m	70 m	70 m	150 m
C	50 m	75 m	75 m	170 m
D	10 m	30 m	30 m	50 m

■ Recommended cable **3369 04/3369 05** for best performance  
We cannot guarantee the performance of 3rd party cable suppliers

## OPTIONAL ADVANCED SETTINGS AND FEATURES

### DOOR LOCK TIMING (T configuration)



Jumpers in slots J1 and may vary depending on kit used, please see p. 3 for required configuration details

As default, the speaker module without a configurator in the "T" slot will allow the door lock to operate for 4 seconds, if a different door lock operation time is desired, you can change the door lock timing to match the table below (additional purchase of configurators may be required)

Configurator Number						
0 (no configurator)	1	2	3	5	6	7
4 sec	1 sec	2 sec	3 sec	6 sec	8 sec	10 sec

For door lock times greater than 10 seconds and/or different lock requirements please contact our technical support team who would be more than happy to assist

## TROUBLESHOOTING

### System does not power up

- Check the incoming supply of the power supply is 230 V
- Check the BUS voltage on BUS terminals of all devices is 26 V DC
- Check for loose connections on the system

### System powers up but does not call correctly

- Check the BUS is 26 V DC at every point, including entrance panel and internal handsets and make sure that the BUS is wired to the correct terminals on each device
- Check entrance panel and handset configurators are correct, please see the configuration guide on p. 3
- Reset the power to the system. The configuration must be done with the system powered off as the configuration only gets read into the system when it is powered up
- Check you are pressing the correct call button, please see the call button positions on p. 3 which shows the configuration positions of the call buttons
- Check the JMP configurator is correct in the J1 slot of the entrance panel as shown on p. 2 and 3, once this has been changed a power reset must be performed to read in the new configuration
- If the handset is not calling, check the ringer volume settings on the right-hand side of the internal unit to make sure the ringer volume is at a suitable level, see p. 3

### Door lock is not working correctly

- Check that 12-18 V DC is on terminals S+ and S- of the entrance panel whilst the door lock button on the handsets is being pressed
- Check the door lock wiring is correct for the type of door lock you have, see p. 4
- Check the push to exit button (if installed) is a sprung return N/O push switch

### System has interference

- Low voltage cabling should not be run with mains equipment, check the wiring runs are not being run along with power cables anywhere on the system

### Audio low / squealing

- If you hear squealing at the entrance panel during conversation (Larson effect) this could be due to the mic and loudspeaker adjustments both being set too high causing the A/V module to self amplify. Fine tune the mic and speaker until squealing stops and the desired audio level is achieved. These can be found on the front of the A/V module and adjusted using the orange adjustment tool supplied with the A/V module, see p. 3
- Low speech audio can be rectified with fine tune adjustment to the mic and loudspeaker. The settings for these are located on the front of the A/V module of the entrance panel and can be changed using the orange adjustment tool supplied with the A/V module, see p. 3

## Contact details

### United Kingdom

Great King Street North,  
Birmingham, B19 2LF

### Customer Services:

Tel: +44 (0) 345 605 4333

E-mail: [legrand.sales@legrand.co.uk](mailto:legrand.sales@legrand.co.uk)

### Quotations and Technical Support:

Tel: +44 (0) 370 608 9020

E-mail: [doentry.uk.technical@legrand.com](mailto:doentry.uk.technical@legrand.com)

### Republic of Ireland:

Tel: 01 295 9673

E-mail: [legrand.sales@legrand.co.uk](mailto:legrand.sales@legrand.co.uk)



FOLLOW  
US AT

@ [www.legrand.co.uk](http://www.legrand.co.uk)  
[www.legrand.ie](http://www.legrand.ie)

 [www.youtube.com/legrandtvuk](https://www.youtube.com/legrandtvuk)

 [www.twitter.com/legranduk](https://www.twitter.com/legranduk)

 [www.linkedin.com/  
company/legranduk](https://www.linkedin.com/company/legranduk)



### Head office (UK and Ireland):

Legrand Electric Limited  
Great King Street North, Birmingham, B19 2LF  
Tel: +44 (0) 370 608 9000  
Website: [www.legrand.co.uk](http://www.legrand.co.uk)